

● Features:

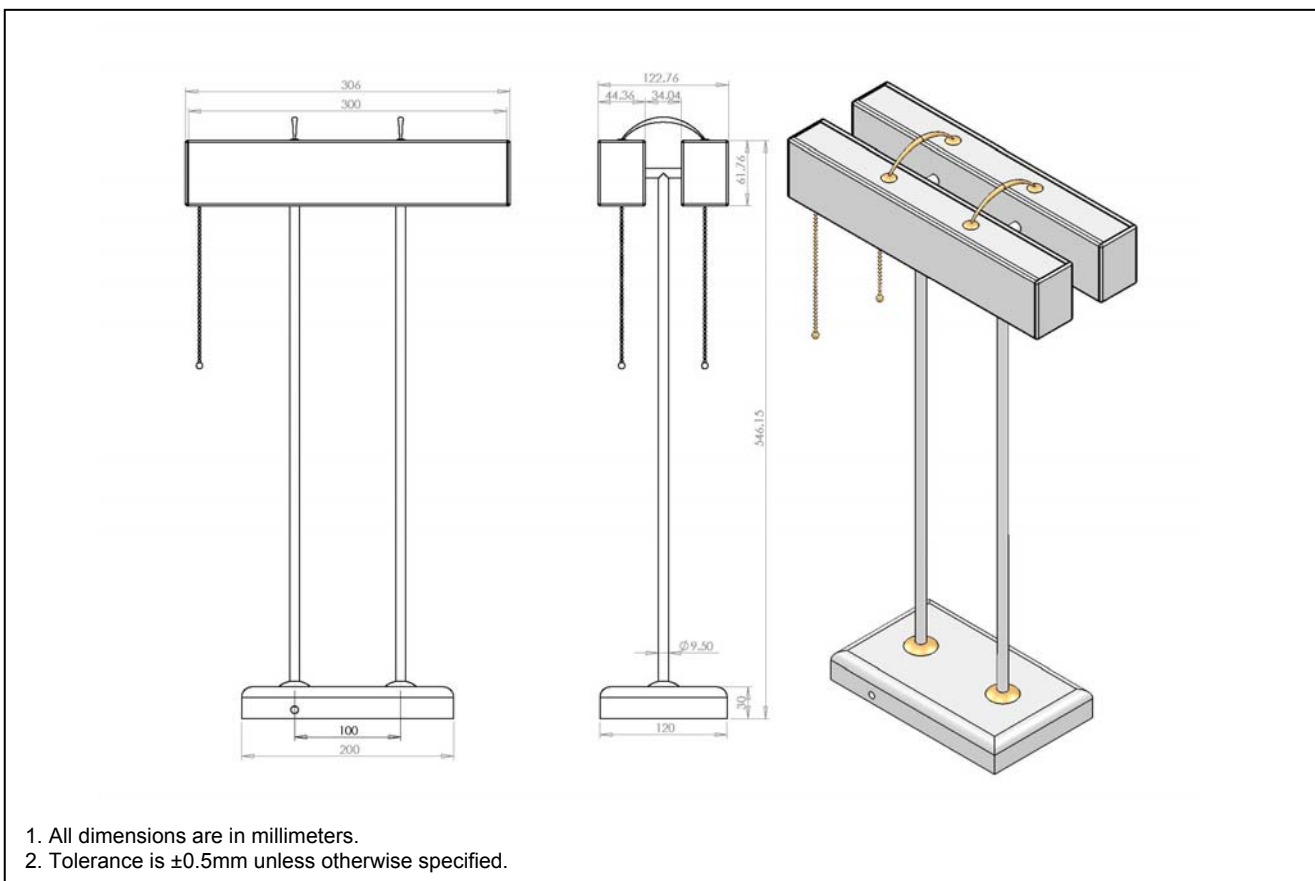
1. Input Voltage: 90-240 Vrms.
2. Housing(new patented) material :Aluminum
3. Input power(Module): 8W .
4. Chip : 3020 LED.
5. Emitted color: white.
6. High lumen output.
7. High flux density.
8. Low power consumption.
9. Efficient heat transfer.
10. Housing color : White and golden

● Applications:

1. Table Light.
2. Special Area Lighting.



● Package dimensions :



● Absolute maximum ratings (T_J=25°C)

Parameter		Symbol	Rating	Unit
Input Voltage		V _{IN}	90~240	Vrms
Power Dissipation	LED	PD	7.0~8.0	W
	Module		8.0~9.0	
Operating Temperature		T _{opr}	-30~40	°C
Storage Temperature		T _{stg}	-40~80	°C

● Electrical & Optical Characteristics (T_J=25°C)

Parameter	Symbol	Condition	Min.	Typ.	Max.	Unit
Input Current	I _{IN}	V _{IN} = 110/220Vrms	-	-	80/40	mA
Total Flux	Φ _v	V _{IN} = 110/220Vrms	600	700	-	lm
Color Temperature	CCT	V _{IN} = 110/220Vrms	5500	6000	6500	K
Viewing Angle	2θ _{1/2}	V _{IN} = 110/220Vrms	120	-	160	degree
Chromaticity Coordinates	x	V _{IN} = 110/220Vrms	-	0.32	-	-
	y	V _{IN} = 110/220Vrms	-	0.31	-	