

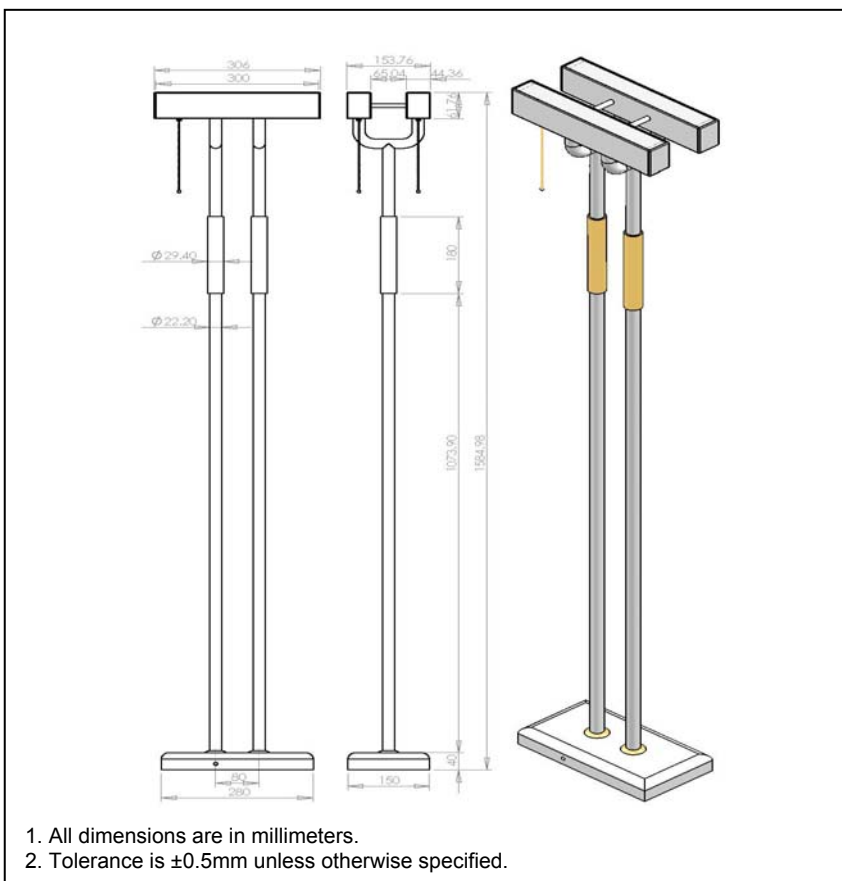
● Features:

1. Input Voltage: 90-240 Vrms.
2. Housing(new patented) material :Aluminum
3. Input power(Module): 8W.
4. Chip : 3020 LED.
5. Emitted color: white.
6. High lumen output.
7. High flux density.
8. Low power consumption.
9. Efficient heat transfer.
10. Housing color : White and golden

● Applications:

1. Floor Light.
2. Special Area Lighting.

● Package dimensions :



• Absolute maximum ratings ($T_J=25^{\circ}\text{C}$)

Parameter	Symbol	Rating	Unit
Input Voltage	V_{IN}	90~240	Vrms
Power Dissipation	LED	7.0~8.0	W
	Module	8.0~9.0	
Operating Temperature	T_{opr}	-30~40	$^{\circ}\text{C}$
Storage Temperature	T_{stg}	-40~80	$^{\circ}\text{C}$

 • Electrical & Optical Characteristics ($T_J=25^{\circ}\text{C}$)

Parameter	Symbol	Condition	Min.	Typ.	Max.	Unit
Input Current	I_{IN}	$V_{IN} = 110/220\text{Vrms}$	-	-	80/40	mA
Total Flux	Φ_v	$V_{IN} = 110/220\text{Vrms}$	600	700	-	lm
Color Temperature	CCT	$V_{IN} = 110/220\text{Vrms}$	5500	6000	6500	K
Viewing Angle	$2\theta_{1/2}$	$V_{IN} = 110/220\text{Vrms}$	120	-	160	degree
Chromaticity Coordinates	x	$V_{IN} = 110/220\text{Vrms}$	-	0.32	-	-
	y	$V_{IN} = 110/220\text{Vrms}$	-	0.31	-	