

● Features:

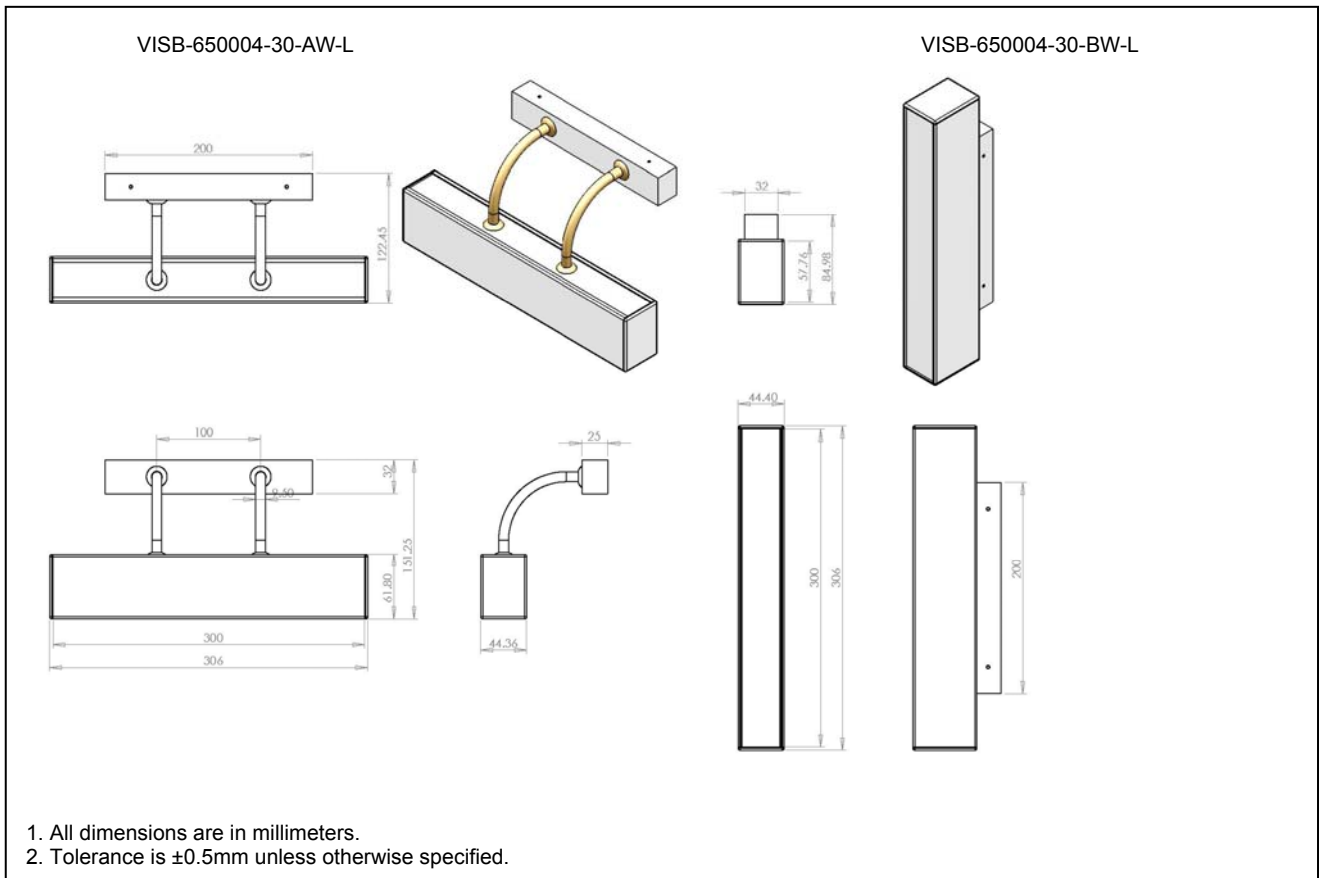
1. Input Voltage: 90-240 Vrms.
2. Housing(new patented) material :Aluminum
3. Input power(Module): 4W.
4. Chip : 3020 LED.
5. Emitted color: white.
6. High lumen output.
7. High flux density.
8. Low power consumption.
9. Efficient heat transfer.
10. Housing color : White and golden



● Applications:

1. Bracket Light.
2. Special Area Lighting.

● Package dimensions :



---



---

 • Absolute maximum ratings ( $T_J=25^{\circ}\text{C}$ )

Parameter		Symbol	Rating	Unit
Input Voltage		$V_{IN}$	90~240	Vrms
Power Dissipation	LED	PD	3.2~3.8	W
	Module		3.8~4.5	
Operating Temperature		$T_{opr}$	-30~40	$^{\circ}\text{C}$
Storage Temperature		$T_{stg}$	-40~80	$^{\circ}\text{C}$

 • Electrical & Optical Characteristics ( $T_J=25^{\circ}\text{C}$ )

Parameter	Symbol	Condition	Min.	Typ.	Max.	Unit
Input Current	$I_{IN}$	$V_{IN} = 110/220\text{Vrms}$	-	-	40/20	mA
Total Flux	$\Phi_v$	$V_{IN} = 110/220\text{Vrms}$	280	320	-	lm
Color Temperature	CCT	$V_{IN} = 110/220\text{Vrms}$	5500	6000	6500	K
Viewing Angle	$2\theta_{1/2}$	$V_{IN} = 110/220\text{Vrms}$	120	-	160	degree
Chromaticity Coordinates	x	$V_{IN} = 110/220\text{Vrms}$	-	0.32	-	-
	y	$V_{IN} = 110/220\text{Vrms}$	-	0.31	-	